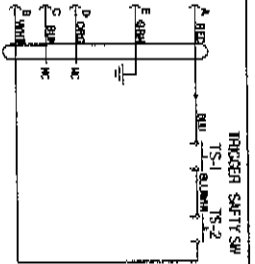
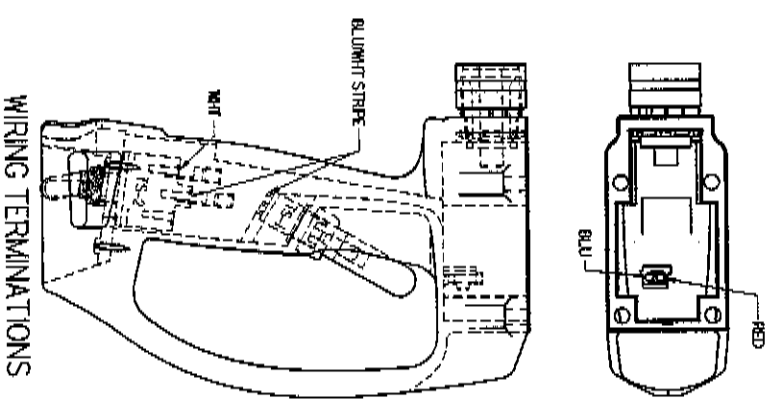


Single Speed  
1:1

WIRING DIAGRAM



Item Number	Document Number	Revision	Title	Quantity
1	301743		PORT LATOR-CONNECTOR CABLE	1
2	306669		BOTTOM PLATE	1
3	306669	C	REPLACEMENT GEAR OIL	1
4	300033		4#22 WITH 1/2 LEAK	1
5	400031		LOCKWASHER W/SH. 1/2 LOCKWASHER	1
6	400031		TOGGLE SPRING 27-LB/INCHES-32	1
7	400034		SPRING TORSION 27-LB/INCHES-32	1
8	40291		CONNECTOR PLUG 1/8" DIA. X 1/2" L	1
9	40293		CONNECTOR PLUG 1/8" DIA. X 1/2" L	1
10	40293		CONNECTOR PLUG 1/8" DIA. X 1/2" L	2
11	5042005		SCREW 1/8" DIA. X 1/2" L	3



WIRING TERMINATIONS

DESCRIPTION	QTY	REVISION
1. HANDLE	1	
2. TRIGGER	1	
3. MOTOR HOUSING	1	
4. GEAR ASSEMBLY	1	
5. TRIGGER SWITCH	1	
6. TRIGGER SPRING	1	
7. TRIGGER BUTTON	1	
8. TRIGGER STOP	1	
9. TRIGGER LOCK	1	
10. TRIGGER LOCK SPRING	1	
11. TRIGGER LOCK PIN	1	

**APPLICATORS**

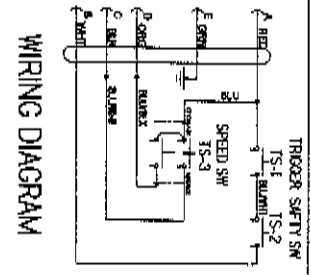
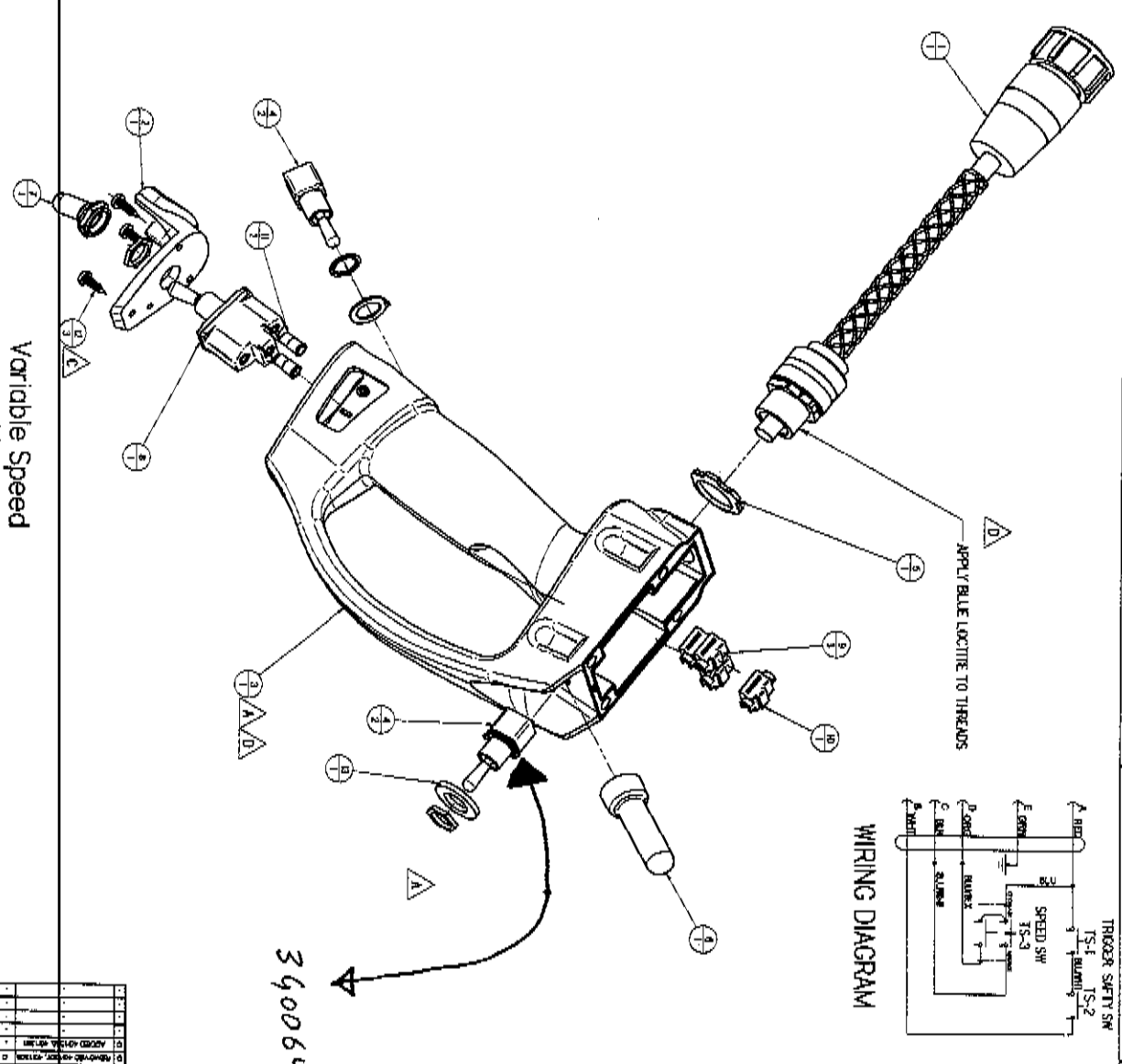
**GoldJet**

Collecting Assembled by the SHERRIS

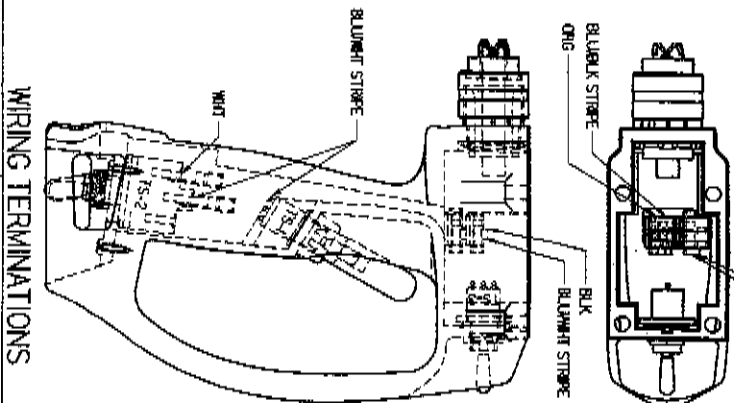
DATE: 08/20/03

REV: 1

1:1



Part Number	Quantity	Description	Part Number	Quantity
1	1	TRIGGER SAFETY SW	1	1
2	1	TRIGGER GUN HANDLE	2	1
3	1	TRIGGER GUN	3	1
4	1	TRIGGER SAFETY SW	4	1
5	1	TRIGGER SAFETY SW	5	1
6	1	TRIGGER SAFETY SW	6	1
7	1	TRIGGER SAFETY SW	7	1
8	1	TRIGGER SAFETY SW	8	1
9	1	TRIGGER SAFETY SW	9	1
10	1	TRIGGER SAFETY SW	10	1
11	1	TRIGGER SAFETY SW	11	1
12	1	TRIGGER SAFETY SW	12	1
13	1	TRIGGER SAFETY SW	13	1



Part Number	Description	Part Number	Description
1	TRIGGER SAFETY SW	1	TRIGGER SAFETY SW
2	TRIGGER GUN HANDLE	2	TRIGGER GUN HANDLE
3	TRIGGER GUN	3	TRIGGER GUN
4	TRIGGER SAFETY SW	4	TRIGGER SAFETY SW
5	TRIGGER SAFETY SW	5	TRIGGER SAFETY SW
6	TRIGGER SAFETY SW	6	TRIGGER SAFETY SW
7	TRIGGER SAFETY SW	7	TRIGGER SAFETY SW
8	TRIGGER SAFETY SW	8	TRIGGER SAFETY SW
9	TRIGGER SAFETY SW	9	TRIGGER SAFETY SW
10	TRIGGER SAFETY SW	10	TRIGGER SAFETY SW
11	TRIGGER SAFETY SW	11	TRIGGER SAFETY SW
12	TRIGGER SAFETY SW	12	TRIGGER SAFETY SW
13	TRIGGER SAFETY SW	13	TRIGGER SAFETY SW

1 2 3 4 5 6 7 8 9

Variable Speed

340064

WIRING TERMINATIONS

**APPLICATOR**  
**GOLDJET**  
 UNIVERSAL AIRFLOW GUN FOR SHAPERS

**APPLICATOR HANDLE ORB003**  
 PART NUMBER: 2100283-03

DATE: 11/10/03  
 DRAWN BY: [Signature]  
 CHECKED BY: [Signature]